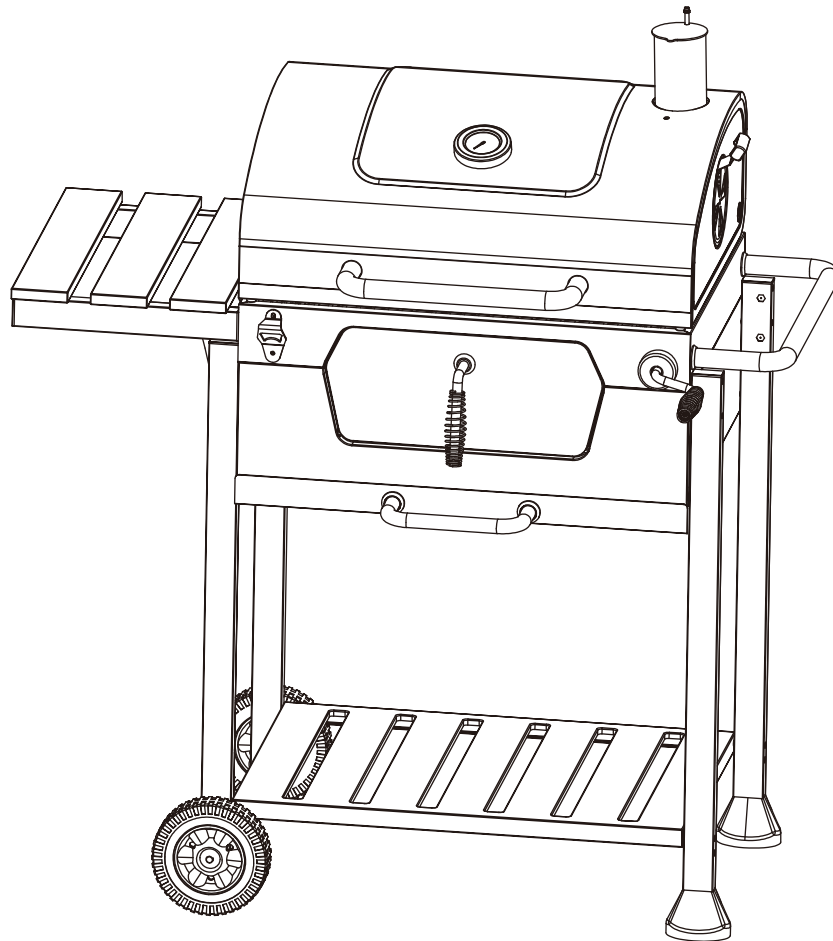


Barbecue Charcoal Grill

ASSEMBLY GUIDE



Customer Service



FOR YOUR SAFETY!

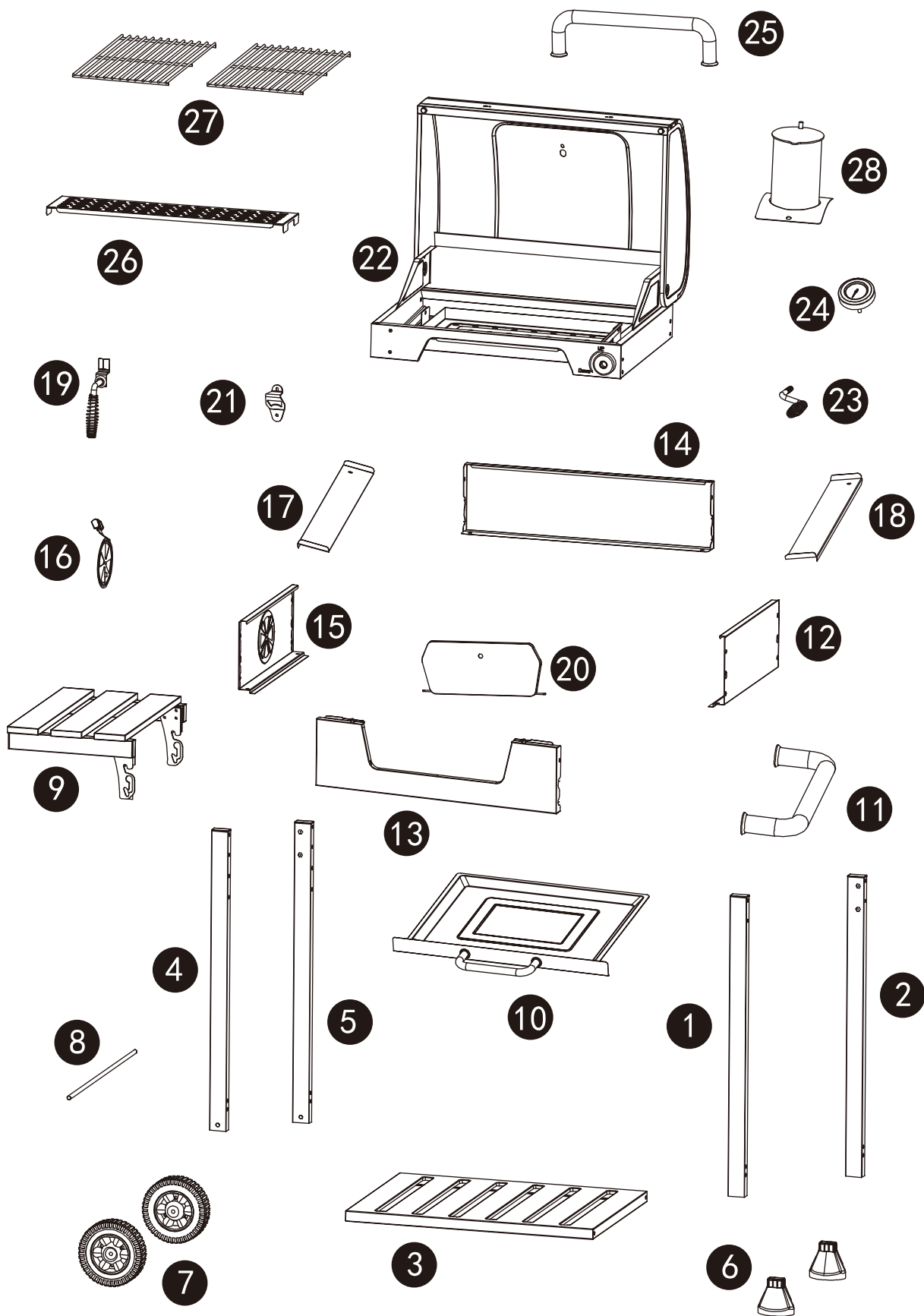
Use outdoors only! Do not use it inside a building, garage, or any other enclosed space. Read the instructions before assembling and using the appliance. DO NOT use the grill unless it is completely assembled, and all the parts are securely fastened. This barbecue will become very hot, do not move it during operation. Keep children and pets away.

CONTACT US FIRST!

This grill has been made to high quality standards. If you have any questions that are not addressed in this Owner's Manual, or you need parts, please call our customer service hotline or send an email to service@royalgourmetusa.com. Please keep this Owner's Manual for future reference.

Learn more at:

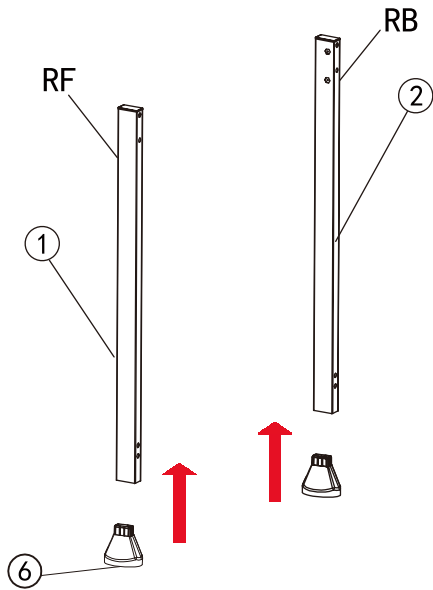
www.royalgourmetcorp.com



Ref	Description	Illustration	QTY	Ref	Description	Illustration	QTY
1.	Right front leg ECJ15JGRF		1	15.	Left panel ELTTIXCBL		1
2.	Right back leg ECJ15JGRB		1	16.	Damper W-ZH300101+Z-ZH2302030		1
3.	Bottom shelf ECJ15ADB		1	17.	Grease deflector (L) EHLTT1DYPL		1
4.	Left front leg ECJ15JGLF		1	18.	Grease deflector (R) EHLTT1DYPR		1
5.	Left back leg ECJ15JGLB		1	19.	Door handle W-R3003		1
6.	Leg base JS203		2	20.	Charcoal access door EHTM		1
7.	Wheel LZ100		2	21.	Bottle opener KQ001(W-DXL12012)		1
8.	Wheel axle LZ004-CA		1	22.	Main body		1
9.	Side table EHCTY		1	23.	Crank handle YZ002		1
10.	Ash tray ELTTIXJHP		1	24.	Thermometer WJ201(W-20130020)		1
11.	Side handle CS003		1	25.	Lid handle SS201		1
12.	Right panel ELTTIXCBR		1	26.	Warming rack ELT1BWW3B		1
13.	Front panel EHLTTIXQB		1	27.	Cooking grate W-CD1824020		2
14.	Rear panel ELTTIXHB		1	28.	Stack EHSG13YC		1

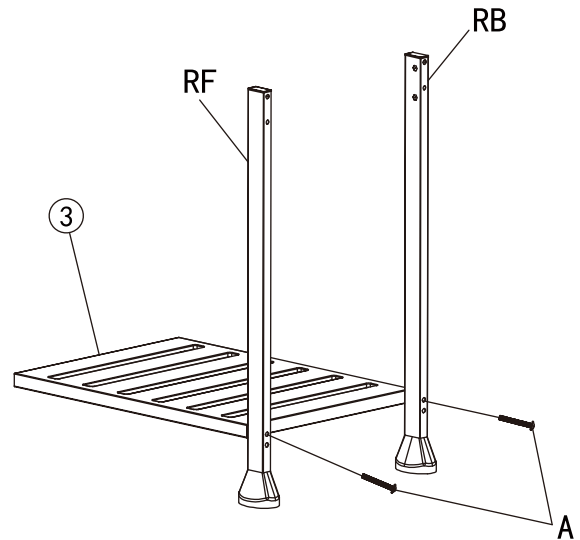
A	M5x55	12 pcs	B	M5x10	8 pcs	C	M4x15	4 pcs	D	Split pin	2 pcs	E	Pad	2 pcs	F	M5x15	1 pc
G	M6x15	6 pcs	H	M6x20	4 pcs	I	M5	1 pc	J	M5	1 pc	K	M4x10	2 pcs	L	M6	2 pcs

Step 1



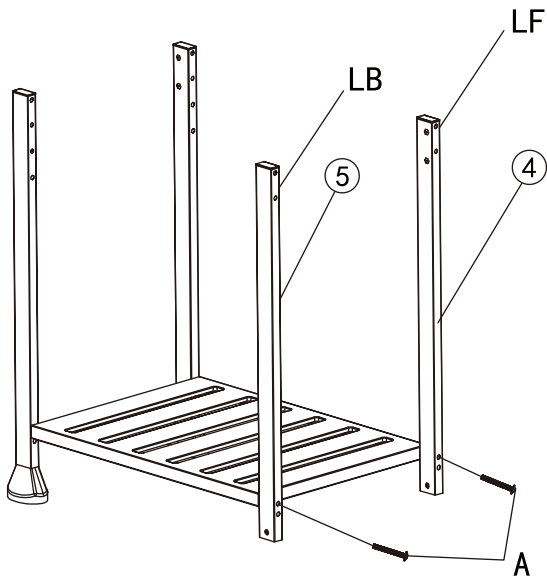
Attach 2 leg bases (6) to the right legs (1), (2).

Step 2



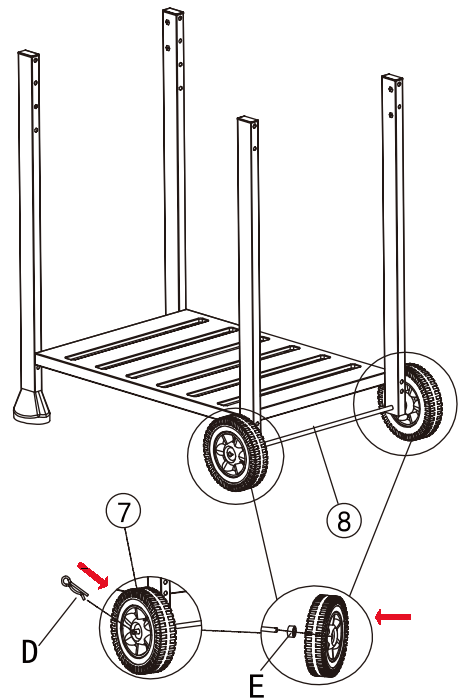
Attach the bottom shelf (3) to the lower right legs with 2 bolts (A).

Step 3



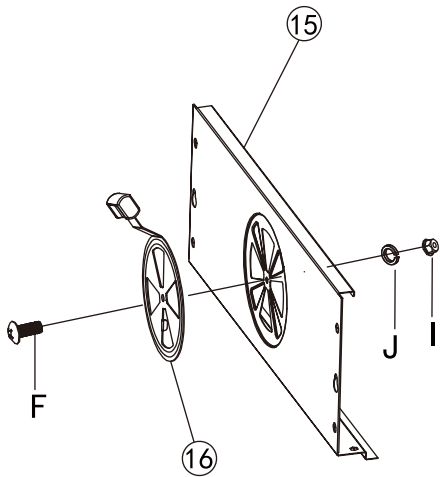
Attach the bottom shelf to the left legs (4), (5) with 2 bolts (A).

Step 4



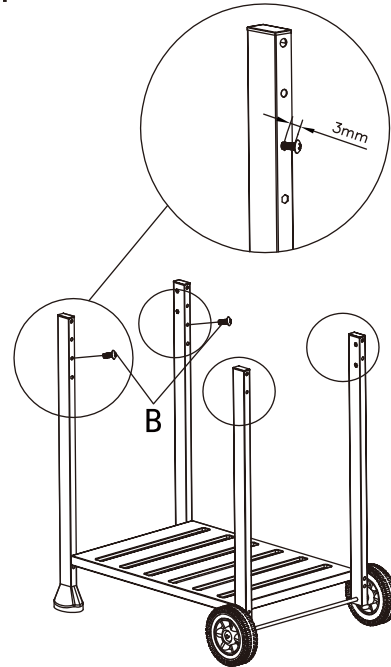
Slide the wheel axle (8) through the lower holes of the left leg assembly. Then attach 2 wheel pads (E) and wheels (7) on the axle from both ends. Secure each wheel with 1 split pin (D).

Step 5



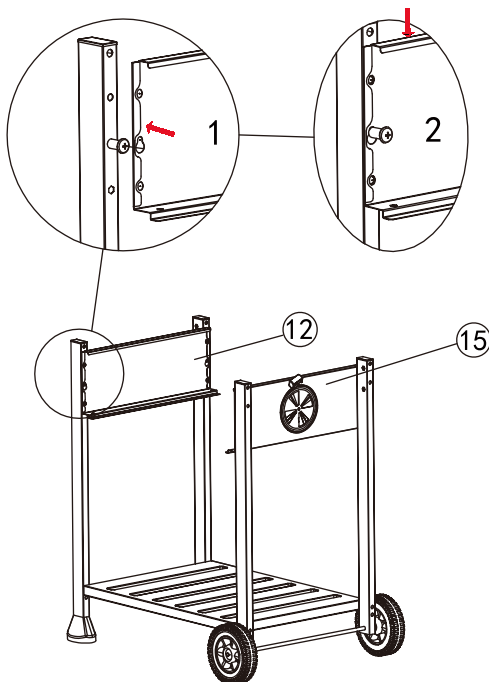
Assemble the damper (16) to the left panel (15) with 1 bolt (F), 1 washer (J) and 1 nut (I) as shown.

Step 6



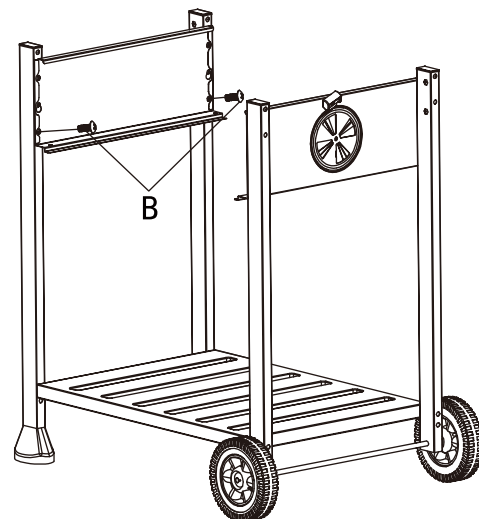
Half screw 4 bolts (B) to the upper leg holes as shown.

Step 7



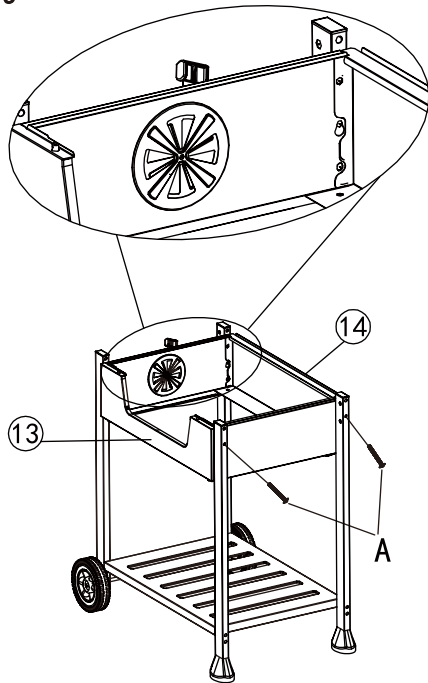
Attach the left panel (15) and the right panel (12) onto the half-screwed bolts of the legs.

Step 8



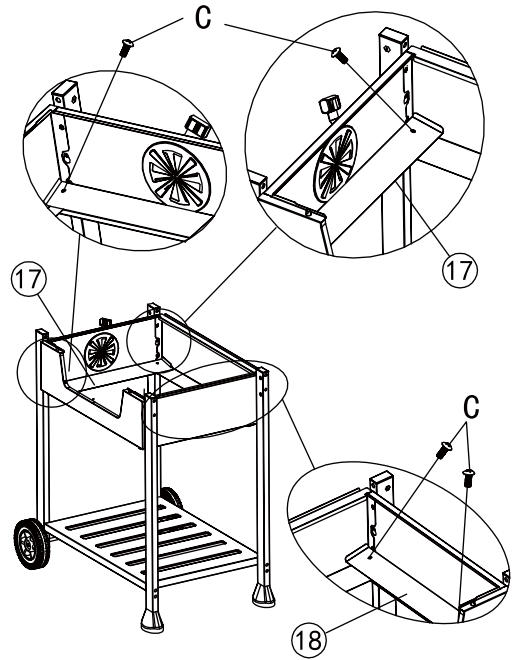
Fasten the left panel and the right panel to the legs with 4 bolts (B).

Step 9



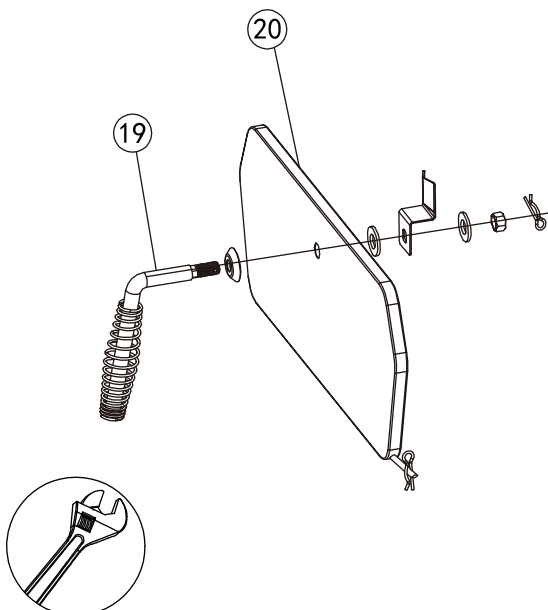
Secure the front panel (13) and the rear panel (14) to the legs with 4 bolts (A).

Step 10



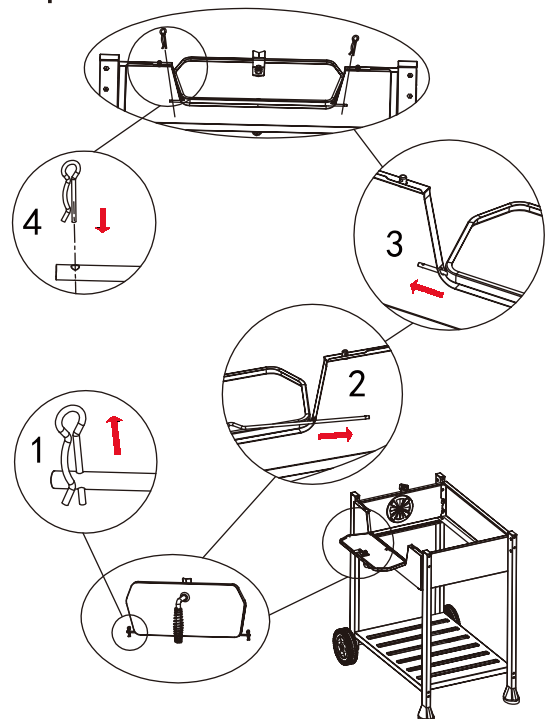
Assemble the grease deflectors (17), (18) to the left and right panels with 4 bolts (C).

Step 11



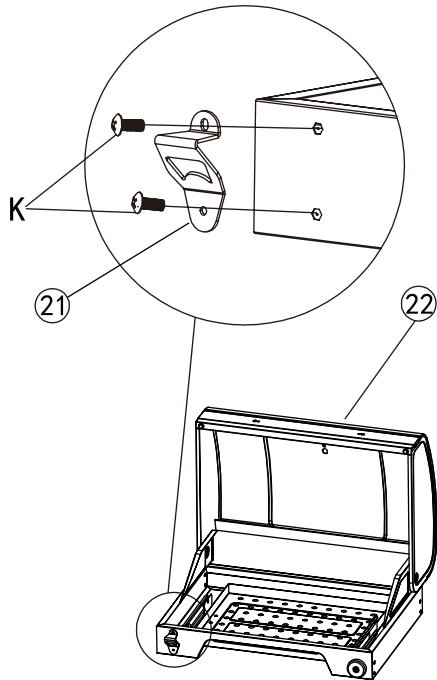
Insert the door handle (19) into the charcoal access door (20) and secure it from the inside with 2 washers, a nut and a split pin. The washers, nut and split pin are preassembled on the handle.

Step 12



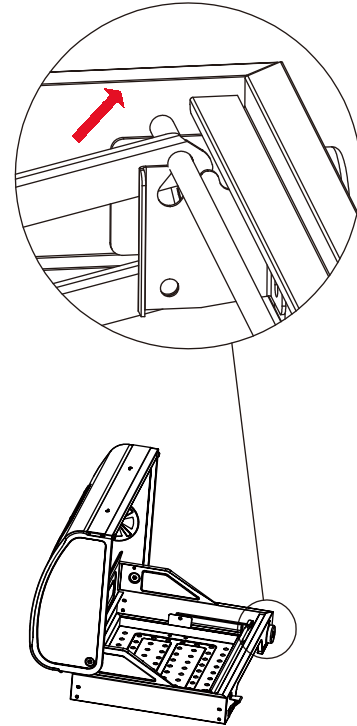
Attach the charcoal access door to the front panel by sliding the pole of the door into the front panel. Secure with 2 split pins. The split pins are preassembled on the charcoal access door.

Step 13



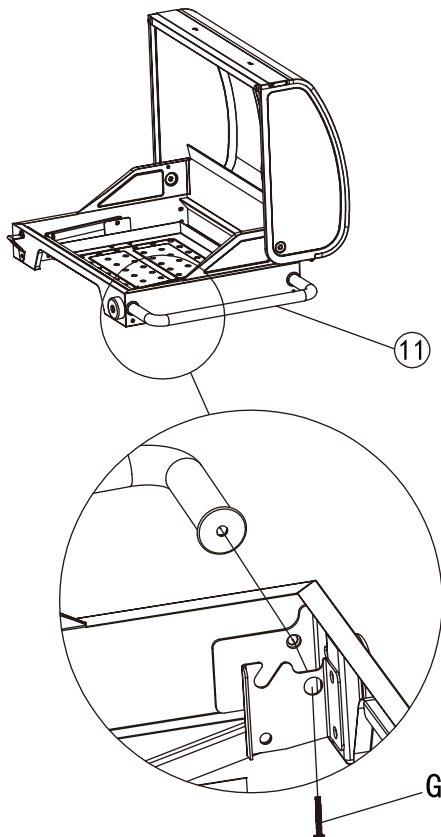
Attach the bottle opener (21) to the main body (22) with 2 bolts (K).

Step 14



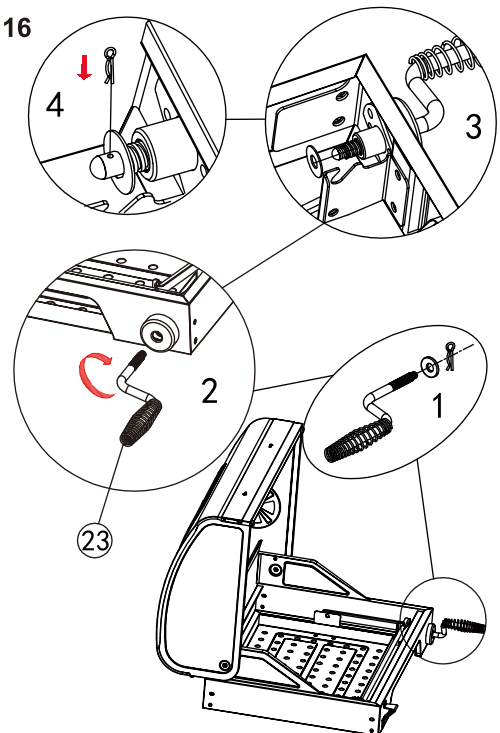
Install the charcoal pan lifting system onto the main body.

Step 15



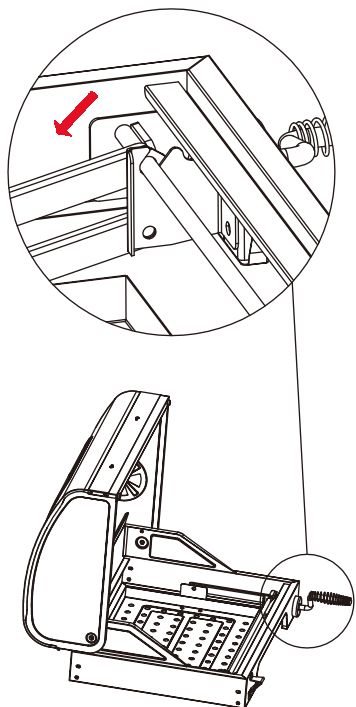
Assemble the side handle (11) to the right side of the main body with 2 bolts (G).

Step 16



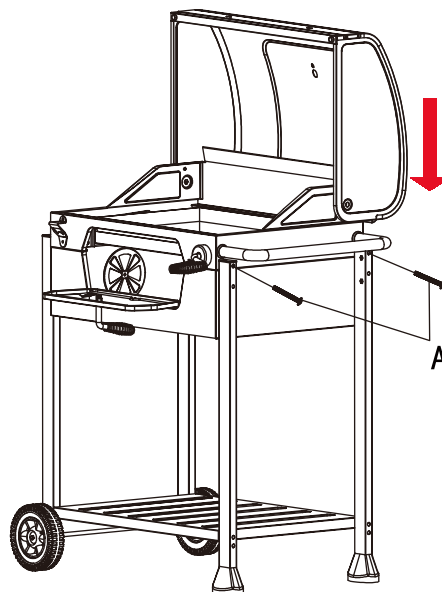
1. Rotate to separate the split pin, the washer and the crank handle (23).
 2. Insert the crank handle into the main body by twisting clockwise.
 3. Attach the washer back from the inside of the main body.
 4. Secure it with the split pin.
- The split pin and washer are preassembled on the handle.

Step 17



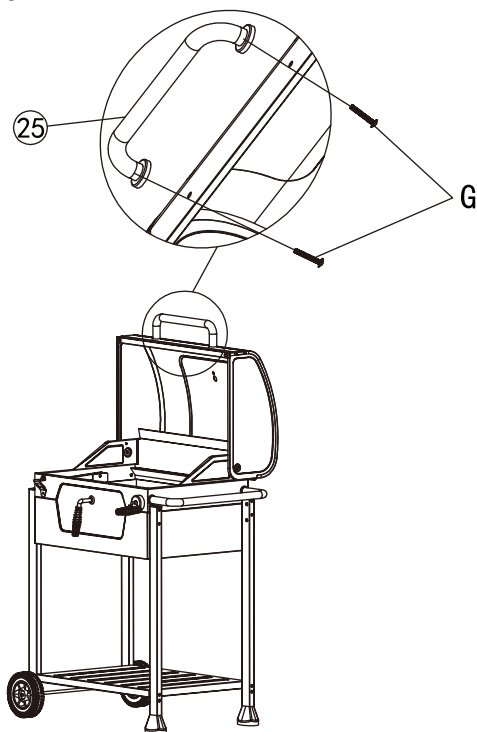
The charcoal pan can be adjusted to the height as you need.

Step 18



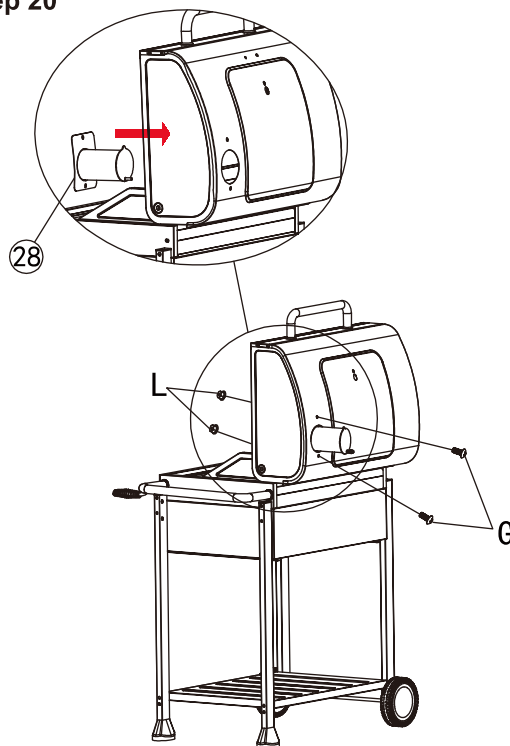
Assemble the main body (22) onto the cart with 4 bolts (A).

Step 19



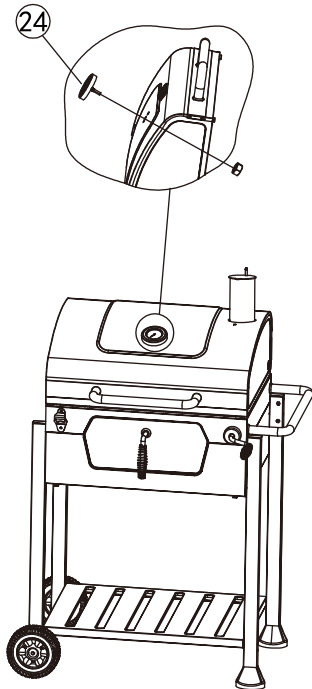
Assemble the lid handle (25) to the lid with 2 bolts (G).

Step 20



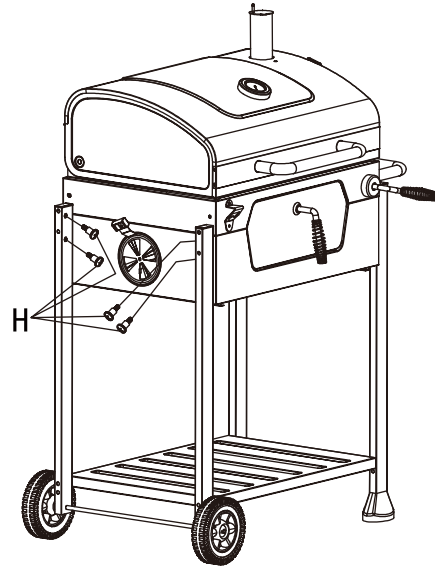
Assemble the stack (28) to the lid with 2 bolts (G) and 2 nuts (L).

Step 21



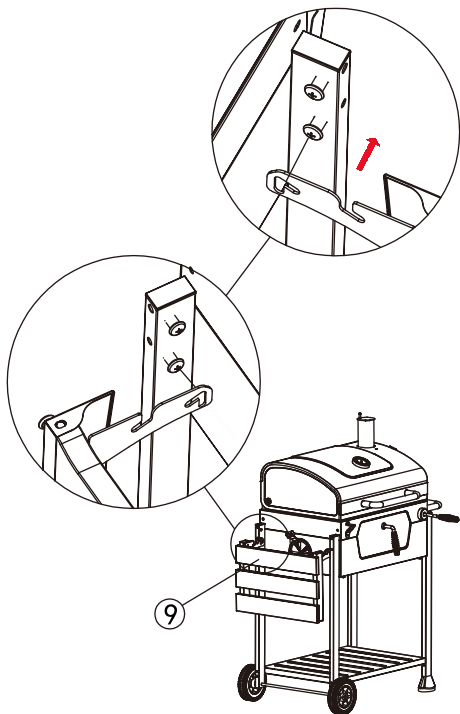
Insert the thermometer (24) into the hole on the lid and secure it in place with a nut.

Step 22



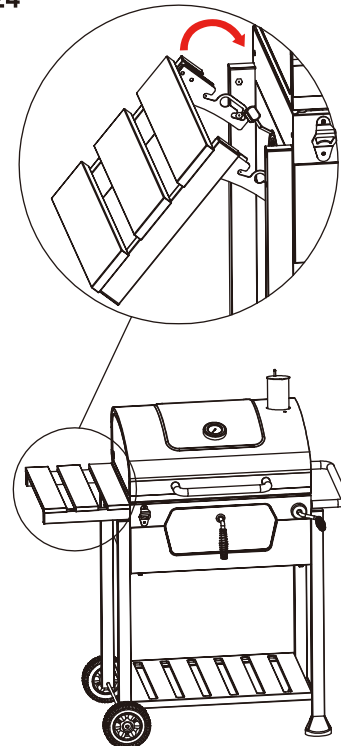
Screw 4 bolts (H) to the legs as shown.

Step 23



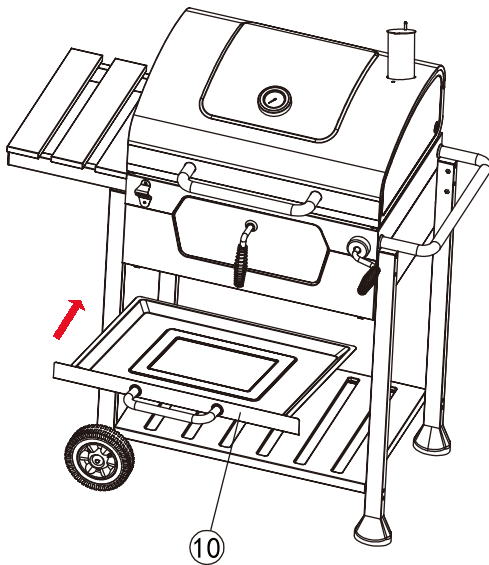
Attach the side table (9) to the bolts (H).

Step 24



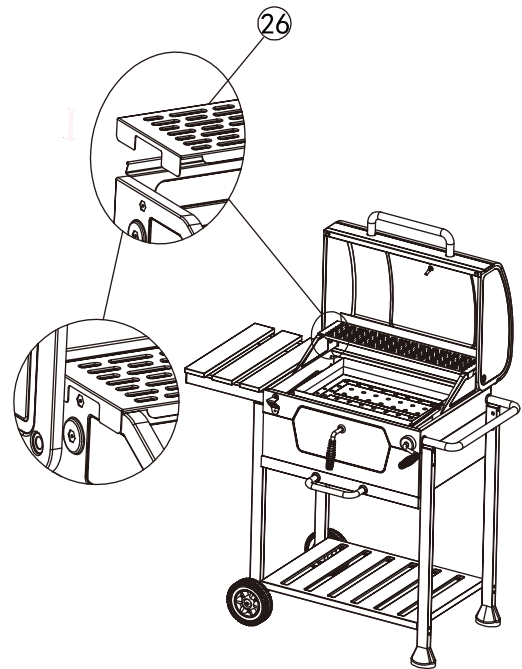
Fodable side table.

Step 25



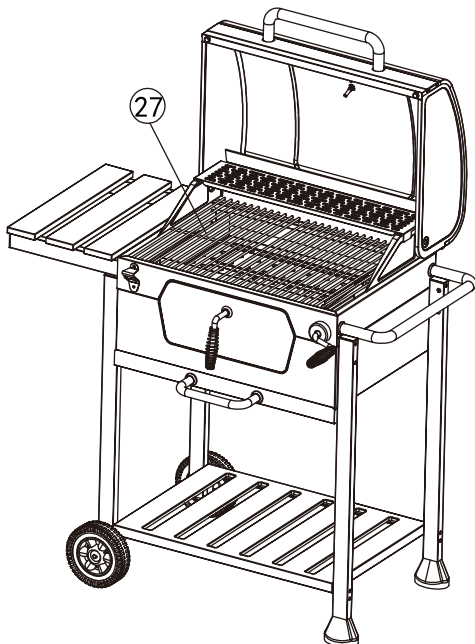
Slide in the ash tray (10) underneath the main body.

Step 26



Assemble the warming rack (26) to the main body as shown.

Step 27



Place the cooking grates (27) into the main body.